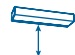






## Technical Features



  
Range  
Up to 4,2 m


  
Airflow  
1640 - 5110 m<sup>3</sup>/h

  
Fans  
EC Double Inlet  
Centrifugal

  
Heating type  
Heat pump  
with sensors

  
Heating capacity  
7,9 - 27 kW

  
Casing  
Galvanised Steel  
Self-Supporting

  
Grille type  
Suction lamellas

  
Outlet vanes  
Airfoil type

  
Control  
Slave DX  
(Optional Control Clever)

RAL 9016  
standard



Stainless  
steel



Other colors  
on request



RECESSED WINDBOX air curtain is a compact and robust air curtain from our standard range with a timeless and visually pleasing design. It is specially designed for installation in false ceilings. It is a suitable air curtain for all types of commercial and industrial entrances. Its energy saving heat pump compatible version achieves a reduction of up to 70% in consumption and CO<sub>2</sub> emissions (in heating mode).

Ready to connect to LG Inverter heat pump (R32/R410A) with direct expansion valve, not included to be purchased by the customer. Includes Interface Kit DX PAHCMRA000 adapted by curtain and programmable control LG PREMTB001.

On request the air curtain can be modified to work in cooling and heating (not recommended) with optional water condensate pump.

### Air curtain specifications

Model	Airflow m <sup>3</sup> /h	Fans Power	Fans Current	Outdoor unit	Outdoor unit	Gas-Liquid pipe connections	Noise Level (5 m)	Weight kg
		230V-50/60Hz kW	230V-50/60Hz A	230Vx1	400Vx3	in	dB(A)	
RECM 1000 DX8-LG	1640	0,142	1,24	UUC1 U40	-	5/8" - 3/8"	56	63
RECM 1500 DX11-LG	2460	0,213	1,86	UUD1 U30	UUD3 U30	5/8" - 3/8"	57	93
RECM 2000 DX16-LG	3280	0,284	2,48	UUD1 U30	UUD3 U30	5/8" - 3/8"	58	122
RECM 2500 DX22-LG	4100	0,355	3,10	-	UU70W U34	1" - 3/8"	59	153
RECG 1000 DX10-LG	2190	0,213	1,86	UUD1 U30	UUD3 U30	5/8" - 3/8"	61	67
RECG 1500 DX15-LG	2920	0,284	2,48	UUD1 U30	UUD3 U30	5/8" - 3/8"	62	98
RECG 2000 DX20-LG	4380	0,426	3,72	-	UU70W U34	1" - 3/8"	63	131
RECG 2000 DX22-LG	4380	0,426	3,72	-	UU70W U34	1" - 3/8"	63	131
RECG 2500 DX22-LG	5110	0,497	4,34	-	UU70W U34	1" - 3/8"	64	163
RECG 2500 DX27-LG	5110	0,497	4,34	-	UU85W U74	7/8" - 1/2"	64	163

### Outdoor unit specifications

LG inverter model Outdoor Unit	Heating capacity	COP or SCOP	Cooling capacity	EER or SEER	Voltage	Gas-liquid pipes	Minimum pipe length	Maximum pipe length	Maximum pipe height
	kW		kW			in	m	m	m
UUC1 U40	7,9	4,8	6,8	8,5	230Vx1	5/8" - 3/8"	5	50	30
UUD1 U30 (36)	10,8	4,5	9,5	7,6	230Vx1	5/8" - 3/8"	5	85	30
UUD1 U30 (42)	13,5	4,5	12,1	7,4	230Vx1	5/8" - 3/8"	5	85	30
UUD1 U30 (48)	15,5	4,5	13,4	6,8	230Vx1	5/8" - 3/8"	5	85	30
UUD1 U30 (60)	17,5	4,5	15	6,6	230Vx1	5/8" - 3/8"	5	85	30
UUD3 U30 (36)	10,8	4,5	9,5	7,6	400Vx3	5/8" - 3/8"	5	85	30
UUD3 U30 (42)	13,5	4,5	12,1	7,4	400Vx3	5/8" - 3/8"	5	85	30
UUD3 U30 (48)	15,5	4,5	13,4	6,8	400Vx3	5/8" - 3/8"	5	85	30
UUD3 U30 (60)	17,5	4,5	15	6,6	400Vx3	5/8" - 3/8"	5	85	30
UU70W U34	22,4	3,5	19	2,84	400Vx3	1" - 3/8"	5	75	30
UU85W U74	27	3,25	23	2,81	400Vx3	7/8" - 1/2"	5	75	30



## Technical Features



Range  
Up to 4,2 m



Airflow  
1640 - 5110 m<sup>3</sup>/h



Fans  
EC Double Inlet  
Centrifugal



Heating type  
Heat pump  
with sensors



Heating capacity  
7,9 - 29 kW



Casing  
Galvanised Steel  
Self-Supporting



Grille type  
Suction lamellas



Outlet vanes  
Airfoil type



Control  
Slave DX  
(Optional Control Clever)

RAL 9016  
standard



Stainless  
steel



Other colors  
on request



RECESSED WINDBOX air curtain is a compact and robust air curtain from our standard range with a timeless and visually pleasing design. It is specially designed for installation in false ceilings. It is a suitable air curtain for all types of commercial and industrial entrances. Its energy saving heat pump compatible version achieves a reduction of up to 70% in consumption and CO<sub>2</sub> emissions (in heating mode).

Ready to connect to LG VRF outdoor heat pump unit (R32/R410A) and expansion valve not included, the customer should purchase it. Requires LG VRF Interface KIT adapted for air curtain and programmable control, please consult.

On request the air curtain can be modified to work in cooling and heating (not recommended) with optional water condensate pump.

Air curtain specifications

Model	Airflow m <sup>3</sup> /h	Fans Power 230V-50/60Hz kW	Fans Current 230V-50/60Hz A	Expansion valve	Gas-Liquid pipe connections in	Noise Level (5 m) dB(A)	Weight kg
RECM 1000 VRF8-LG	1640	0,142	1,24	PRLK048A0	5/8" - 3/8"	56	63
RECM 1500 VRF12-LG	2460	0,213	1,86	PRLK048A0	5/8" - 3/8"	57	93
RECM 2000 VRF16-LG	3280	0,284	2,48	PRLK048A0	5/8" - 3/8"	58	122
RECM 2000 VRF19-LG	3280	0,284	2,48	PRLK048A0	5/8" - 3/8"	58	122
RECM 2500 VRF21-LG	4100	0,355	3,10	PRLK048A0	1" - 3/8"	59	153
RECM 2500 VRF24-LG	4100	0,355	3,10	PRLK048A0	1" - 3/8"	59	153
RECG 1000 VRF10-LG	2190	0,213	1,86	PRLK048A0	5/8" - 3/8"	61	67
RECG 1500 VRF15-LG	2920	0,284	2,48	PRLK048A0	5/8" - 3/8"	62	98
RECG 2000 VRF20-LG	4380	0,426	3,72	PRLK048A0	1" - 3/8"	63	131
RECG 2000 VRF24-LG	4380	0,426	3,72	PRLK048A0	1" - 3/8"	63	131
RECG 2500 VRF25-LG	5110	0,497	4,34	PRLK048A0	1" - 3/8"	64	163
RECG 2500 VRF29-LG	5110	0,497	4,34	PRLK048A0	7/8" - 1/2"	64	163

VRF-compatible models are as follows:

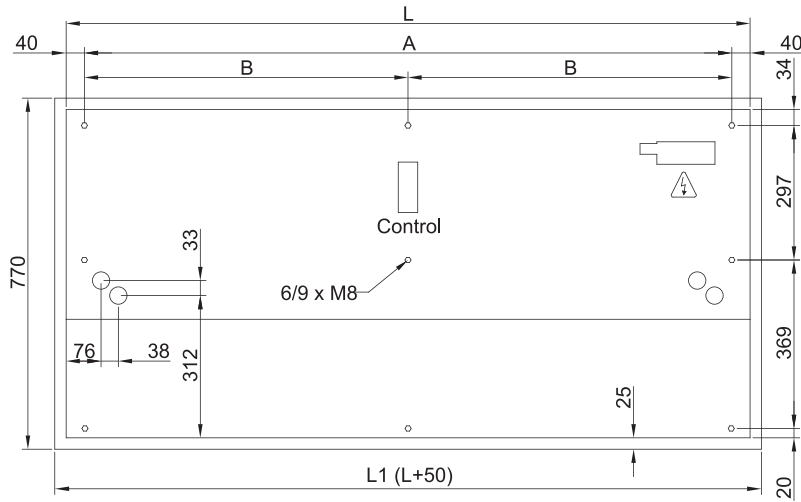
- Multi V S
- Multi V 5
- Multi V IV



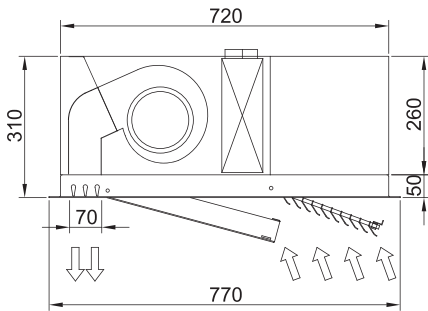
Selection program



## Dimensions



Model	L	L1	A	B
1000	1000	1050	920	-
1500	1500	1550	1420	710
2000	2000	2050	1920	960
2500	2500	2550	2420	1210



CAD drawings, BIM files, installation manuals and other documents



## Accessories

### Supports



Wall rail support  
SPWR



Silentblock supports  
SPANG-SIL / SLB



Gripple hanger  
SPCT



Slave DX  
(Included)



Interface kit  
IN-NE-II



Clever Control Kit



RJ45 Cable



External Temperature  
Sensor (Clever, TD-NE)

### Sensors



Magnetic door contact  
DC



Mechanical door contact  
DC