



Technical Features



Range
Up to 4,2 m



Airflow
1640 - 5840 m³/h



Fans
EC Double Inlet
Centrifugal



Heating type
Heat pump
with sensors



Heating capacity
7,9 - 27 kW



Casing
Galvanised Steel
Self-Supporting



Grille type
Rectangular perforated
49x3



Outlet vanes
Airfoil type
Adjustable



Control
Slave DX
(Optional Control Clever)

RAL 9016
standard



Stainless
steel



Other colors
on request



SMART air curtain combines the best technological features with design and quality finishes. Contemporary, discreet and elegant, it has a smooth front panel because the air inlet is hidden at the top, thus avoiding the interior view of the air curtain and the grille with the filter. Its energy saving heat pump compatible version achieves a reduction of up to 70% in consumption and CO₂ emissions (in heating mode).

Ready to connect to LG Inverter heat pump (R32/R410A) with direct expansion valve, not included to be purchased by the customer. Includes Interface Kit DX PAHCMRA000 adapted by curtain and programmable control LG PREMTB001.

On request the air curtain can be modified to work in cooling and heating (not recommended) with optional water condensate pump.

Air curtain specifications

Model	Airflow m ³ /h	Fans Power	Fans Current	Outdoor unit	Outdoor unit	Gas-Liquid pipe connections	Noise Level (5 m)	Weight kg
		230V-50/60Hz kW	230V-50/60Hz A	230Vx1	400Vx3	in	dB(A)	
SMART ECM 1000 DX8-LG	1640	0,142	1,24	UUC1 U40	-	5/8" - 3/8"	56	39
SMART ECM 1500 DX11-LG	2460	0,213	1,86	UUD1 U30	UUD3 U30	5/8" - 3/8"	57	58
SMART ECM 2000 DX16-LG	3280	0,284	2,48	UUD1 U30	UUD3 U30	5/8" - 3/8"	58	73
SMART ECM 2500 DX22-LG	4100	0,355	3,10	-	UU70W U34	1" - 3/8"	59	79
SMART ECM 3000 DX27-LG	4920	0,426	3,72	-	UU85W U74	7/8" - 1/2"	60	81
SMART ECG 1000 DX10-LG	2190	0,213	1,86	UUD1 U30	UUD3 U30	5/8" - 3/8"	61	44
SMART ECG 1500 DX15-LG	2920	0,284	2,48	UUD1 U30	UUD3 U30	5/8" - 3/8"	62	64
SMART ECG 2000 DX20-LG	4380	0,426	3,72	-	UU70W U34	1" - 3/8"	63	83
SMART ECG 2000 DX22-LG	4380	0,426	3,72	-	UU70W U34	1" - 3/8"	63	83
SMART ECG 2500 DX22-LG	5110	0,497	4,34	-	UU70W U34	1" - 3/8"	64	87
SMART ECG 2500 DX27-LG	5110	0,497	4,34	-	UU85W U74	7/8" - 1/2"	64	87
SMART ECG 3000 DX27-LG	5840	0,568	4,96	-	UU85W U74	7/8" - 1/2"	65	99

Outdoor unit specifications

LG inverter model Outdoor Unit	Heating capacity	COP or SCOP	Cooling capacity	EER or SEER	Voltage	Gas-liquid pipes	Minimum pipe length	Maximum pipe length	Maximum pipe height
	kW		kW			in	m	m	m
UUC1 U40	7,9	4,8	6,8	8,5	230Vx1	5/8" - 3/8"	5	50	30
UUD1 U30 (36)	10,8	4,5	9,5	7,6	230Vx1	5/8" - 3/8"	5	85	30
UUD1 U30 (42)	13,5	4,5	12,1	7,4	230Vx1	5/8" - 3/8"	5	85	30
UUD1 U30 (48)	15,5	4,5	13,4	6,8	230Vx1	5/8" - 3/8"	5	85	30
UUD1 U30 (60)	17,5	4,5	15	6,6	230Vx1	5/8" - 3/8"	5	85	30
UUD3 U30 (36)	10,8	4,5	9,5	7,6	400Vx3	5/8" - 3/8"	5	85	30
UUD3 U30 (42)	13,5	4,5	12,1	7,4	400Vx3	5/8" - 3/8"	5	85	30
UUD3 U30 (48)	15,5	4,5	13,4	6,8	400Vx3	5/8" - 3/8"	5	85	30
UUD3 U30 (60)	17,5	4,5	15	6,6	400Vx3	5/8" - 3/8"	5	85	30
UU70W U34	22,4	3,5	19	2,84	400Vx3	1" - 3/8"	5	75	30
UU85W U74	27	3,25	23	2,81	400Vx3	7/8" - 1/2"	5	75	30



Technical Features



Range
Up to 4,2 m



Airflow
1640 - 5840 m³/h



Fans
EC Double Inlet
Centrifugal



Heating type
Heat pump
with sensors



Heating capacity
7,9 - 34 kW



Casing
Galvanised Steel
Self-Supporting



Grille type
Rectangular perforated
49x3



Outlet vanes
Airfoil type
Adjustable



Control
Slave DX
(Optional Control Clever)

RAL 9016
standard



Stainless
steel



Other colors
on request



SMART air curtain combines the best technological features with design and quality finishes. Contemporary, discreet and elegant, it has a smooth front panel because the air inlet is hidden at the top, thus avoiding the interior view of the air curtain and the grille with the filter. Its energy saving heat pump compatible version achieves a reduction of up to 70% in consumption and CO2 emissions (in heating mode).

Ready to connect to LG VRF outdoor heat pump unit (R32/R410A) and expansion valve not included, the customer should purchase it. Requires LG VRF Interface KIT adapted for air curtain and programmable control, please consult.

On request the air curtain can be modified to work in cooling and heating (not recommended) with optional water condensate pump.

Air curtain specifications

Model	Airflow m ³ /h	Fans Power 230V-50/60Hz kW	Fans Current 230V-50/60Hz A	Expansion valve	Gas-Liquid pipe connections in	Noise Level (5 m) dB(A)	Weight kg
SMART ECM 1000 VRF8-LG	1640	0,142	1,24	PRLK048A0	5/8" - 3/8"	56	39
SMART ECM 1500 VRF12-LG	2460	0,213	1,86	PRLK048A0	5/8" - 3/8"	57	58
SMART ECM 2000 VRF16-LG	3280	0,284	2,48	PRLK048A0	5/8" - 3/8"	58	73
SMART ECM 2000 VRF19-LG	3280	0,284	2,48	PRLK048A0	5/8" - 3/8"	58	73
SMART ECM 2500 VRF21-LG	4100	0,355	3,10	PRLK048A0	1" - 3/8"	59	79
SMART ECM 2500 VRF24-LG	4100	0,355	3,10	PRLK048A0	1" - 3/8"	59	79
SMART ECM 3000 VRF26-LG	4920	0,426	3,72	PRLK048A0	7/8" - 1/2"	60	91
SMART ECG 1000 VRF10-LG	2190	0,213	1,86	PRLK048A0	5/8" - 3/8"	61	44
SMART ECG 1500 VRF15-LG	2920	0,284	2,48	PRLK048A0	5/8" - 3/8"	62	64
SMART ECG 2000 VRF20-LG	4380	0,426	3,72	PRLK048A0	1" - 3/8"	63	83
SMART ECG 2000 VRF24-LG	4380	0,426	3,72	PRLK048A0	1" - 3/8"	63	83
SMART ECG 2500 VRF25-LG	5110	0,497	4,34	PRLK048A0	1" - 3/8"	64	87
SMART ECG 2500 VRF29-LG	5110	0,497	4,34	PRLK048A0	7/8" - 1/2"	64	87
SMART ECG 3000 VRF29-LG	5840	0,568	4,96	PRLK048A0	7/8" - 1/2"	65	99
SMART ECG 3000 VRF34-LG	5840	0,568	4,96	PRLK096A0	7/8" - 1/2"	65	99

Los modelos compatibles con VRF son los siguientes:

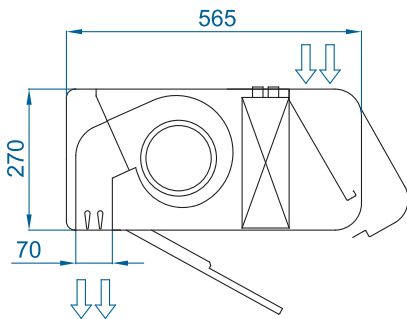
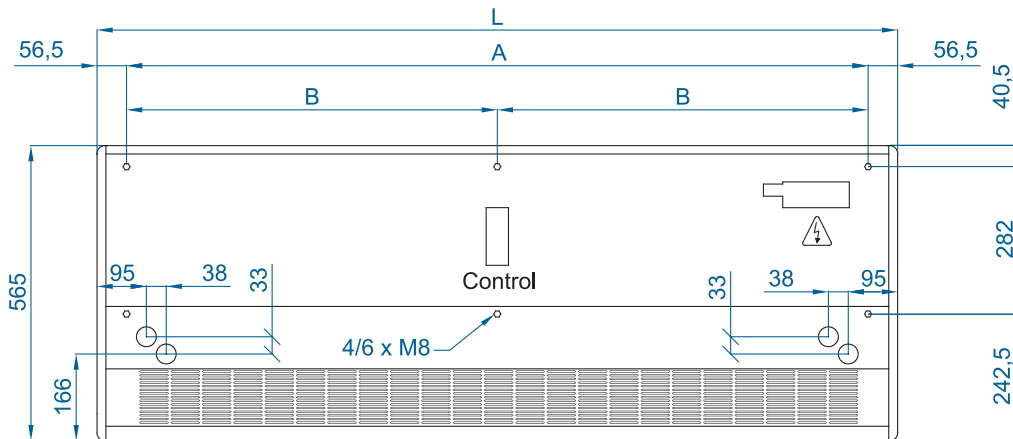
- Multi V S
- Multi V 5
- Multi V IV



Selection program



Dimensions



Model	L	A	B
1000	1034	920	-
1500	1534	1420	710
2000	2034	1920	960
2500	2534	2420	1210
3000	3034	2920	1460

CAD drawings, BIM files, installation manuals and other documents



Accessories

Supports



Wall rail support
SPWR



Silentblock supports
SPANG-SIL / SLB



Grippler hanger
SPCT



Slave DX
(Included)



Interface kit
IN-NE-II



Clever Control Kit



RJ45 Cable



External Temperature
Sensor (Clever, TD-NE)

Sensors



Magnetic door contact
DC



Mechanical door contact
DC