



Characteristics



- Energy saving heat pump air curtains: Up to 70% reduction in costs and CO₂ emissions (heating mode).
- Compact and low profile recessed air curtain with full grille view.
- Self-supporting casing construction made of galvanized steel plate, ready to be installed recessed in a false ceiling.
- Inlet grille (free of maintenance) made with aluminium profiles and blow-out nozzle, integrated in a single white frame colour RAL 9016. Other colours are available on request.
- EC Double-inlet centrifugal fans driven by an external rotor motor and low noise level, with very low consumption efficiency fans.
- Includes direct expansion coil with sensors. Optional condensate water pump.
- CS-5DX-NE Plug&Play control with 5 speeds and telephone cable 7m included.
- Requires PANASONIC DX Interface KIT adapted for air curtain and programmable control, please consult.
- Ready to connect to PANASONIC Inverter outdoor heat pump unit (R32) with expansion valve, not included, the customer should purchase it.

Specifications

Model	Airflow m ³ /h	Outdoor Unit		Power Fan	Current Fan	Noise Level	Weight kg
		230Vx1	400Vx3	230V-50Hz kW	230V-50Hz A	(5 m) dB(A)	
RDAM ECM 1500 DX11-PA	2460	U-100PZH2E5	U-100PZH2E8	0,213	1,86	57	74
RDAM ECM 1500 DX13-PA	2460	U-125PZ2E5	U-125PZ2E8	0,213	1,86	57	74
RDAM ECM 2000 DX16-PA	3280	U-140PZH2E5	U-140PZH2E8	0,284	2,48	58	95
RDAM ECM 2500 DX22-PA	4100	-	U-200PZH2E8	0,355	3,10	59	106
RDAM ECG 1000 DX10-PA	2190	U-100PZ2E5	U-100PZ2E8	0,213	1,86	61	55
RDAM ECG 1500 DX14-PA	2920	U-125PZH2E5	U-125PZH2E8	0,284	2,48	62	80
RDAM ECG 1500 DX14-PA	2920	U-140PZ2E5	U-140PZ2E8	0,284	2,48	62	80
RDAM ECG 2000 DX22-PA	4380	-	U-200PZH2E8	0,426	3,72	63	105
RDAM ECG 2500 DX28-PA	5110	-	U-250PZH2E8	0,497	4,34	64	114

PANASONIC Inverter Outdoor Units Standard / Elite	Heating Capacity kW	Heating Power kW	SCOP or COP	Cooling Capacity kW	Cooling Power kW	SEER or EER	Power Supply	Pipes		Pipes Maximum Length m	Pipes Maximum Height m
								Gas	Liquid		
								inch			
U-100PZ2E5	10,00	2,32	3,80	10,00	2,73	5,60	230Vx1	5/8	3/8	50	30
U-100PZ2E8	10,00	2,32	3,80	10,00	2,73	5,60	400Vx3	5/8	3/8	50	30
U-125PZ2E5	12,50	3,11	3,61	12,50	3,55	5,56	230Vx1	5/8	3/8	50	30
U-125PZ2E8	12,50	3,11	3,61	12,50	3,55	5,54	400Vx3	5/8	3/8	50	30
U-140PZ2E5	14,00	3,69	3,54	14,00	4,40	5,38	230Vx1	5/8	3/8	50	30
U-140PZ2E8	14,00	3,69	3,54	14,00	4,40	5,37	400Vx3	5/8	3/8	50	30
U-100PZH2E5	11,20	2,60	4,40	10,00	2,42	6,10	230Vx1	5/8	3/8	85	30
U-100PZH2E8	11,20	2,60	4,40	10,00	2,42	6,10	400Vx3	5/8	3/8	85	30
U-125PZH2E5	14,00	3,48	4,26	12,50	3,55	5,88	230Vx1	5/8	3/8	85	30
U-125PZH2E8	14,00	3,48	4,26	12,50	3,55	5,87	400Vx3	5/8	3/8	85	30
U-140PZH2E5	16,00	4,38	4,18	14,00	4,30	5,73	230Vx1	5/8	3/8	85	30
U-140PZH2E8	16,00	4,38	4,18	14,00	4,30	5,72	400Vx3	5/8	3/8	85	30
U-200PZH2E8	22,40	6,21	3,61	19,50	6,06	5,25	400Vx3	1	3/8	90	30
U-250PZH2E8	28,00	8,21	3,64	23,20	7,46	4,84	400Vx3	1	1/2	60	30

Energy efficiency: SCOP/SEER seasonal ≤12kW, COP/EER >12kW.

Outdoor unit capacities depending on standard conditions: heating 20°CDB indoor / 7°CDB and 6°CWB outdoor, cooling 27°CDB and 19°CWB indoor / 35°CDB outdoor.

When adverse weather conditions, the outdoor unit capacity can decrease. It is recommendable to oversize the units.



Characteristics



- Energy saving heat pump air curtains: Up to 70% reduction in costs and CO₂ emissions (heating mode).
- Compact and low profile recessed air curtain with full grille view.
- Self-supporting casing construction made of galvanized steel plate, ready to be installed recessed in a false ceiling.
- Inlet grille (free of maintenance) made with aluminium profiles and blow-out nozzle, integrated in a single white frame colour RAL 9016. Other colours are available on request.
- EC Double-inlet centrifugal fans driven by an external rotor motor and low noise level, with very low consumption efficiency fans.
- Includes direct expansion coil with sensors. Optional condensate water pump.
- CS-5DX-NE Plug&Play control with 5 speeds and telephone cable 7m included.
- Requires PANASONIC VRF Interface KIT adapted for air curtain with expansion valve and programmable control, please consult.
- Ready to connect to PANASONIC VRF outdoor heat pump unit (R410A), not included, the customer should purchase it.

Specifications

Model	Airflow m ³ /h	Panasonic Kit Interface VRF	Power Fan 230V-50Hz kW	Current Fan 230V-50Hz A	Noise Level (5 m) dB(A)	Weight kg
RDAM ECM 1500 VRF12-PA	2460	PAW-160MAH2	0,213	1,86	57	74
RDAM ECM 2000 VRF16-PA	3280	PAW-160MAH2	0,284	2,48	58	95
RDAM ECM 2000 VRF19-PA	3280	PAW-280MAH2	0,284	2,48	58	95
RDAM ECM 2500 VRF21-PA	4100	PAW-280MAH2	0,355	3,10	59	106
RDAM ECM 2500 VRF24-PA	4100	PAW-280MAH2	0,355	3,10	59	106
RDAM ECG 1000 VRF10-PA	2190	PAW-160MAH2	0,213	1,86	61	55
RDAM ECG 1500 VRF13-PA	2920	PAW-160MAH2	0,284	2,48	62	80
RDAM ECG 1500 VRF15-PA	2920	PAW-160MAH2	0,284	2,48	62	80
RDAM ECG 2000 VRF20-PA	4380	PAW-280MAH2	0,426	3,72	63	105
RDAM ECG 2000 VRF24-PA	4380	PAW-280MAH2	0,426	3,72	63	105
RDAM ECG 2500 VRF25-PA	5110	PAW-280MAH2	0,497	4,34	64	114
RDAM ECG 2500 VRF29-PA	5110	PAW-280MAH2	0,497	4,34	64	114

PANASONIC VRF compatible Outdoor Units

Mini ECOi (Heat Pump)

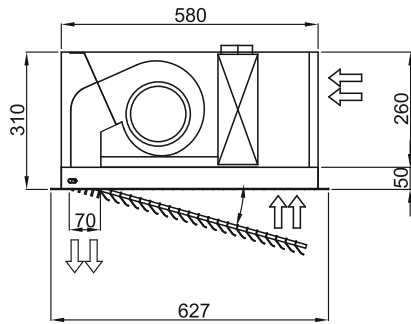
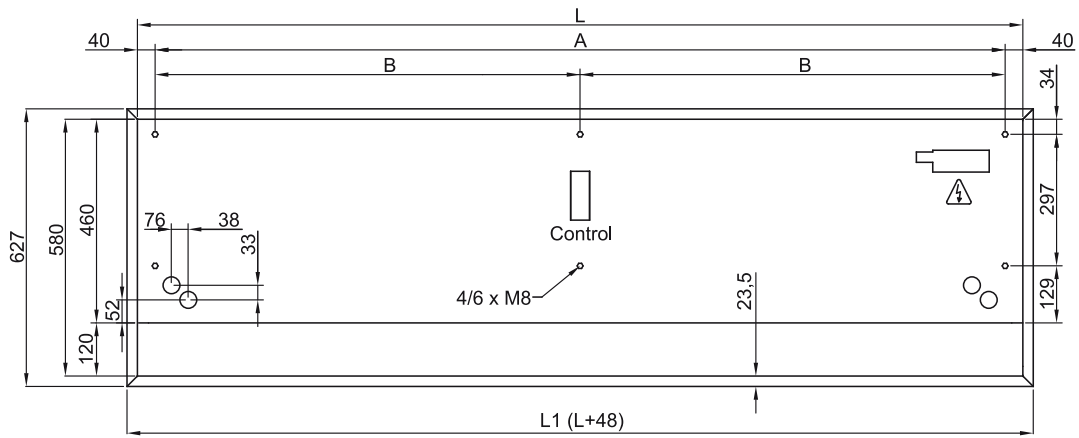
ECOi & ECOg (Heat Pump / Heat Recovery)



When adverse weather conditions, the outdoor unit capacity can decrease. It is recommendable to oversize the units.



Dimensions

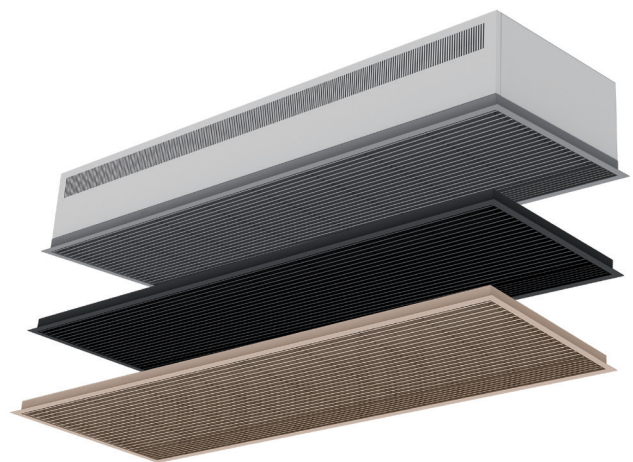


	L	L1	A	B
RDAM 1000	1000	1048	920	-
RDAM 1500	1500	1548	1420	710
RDAM 2000	2000	2048	1920	960
RDAM 2500	2500	2548	2420	1210

Finishes and details



Detail of exposed inlet grille



Customizable inlet grille in RAL color optionally